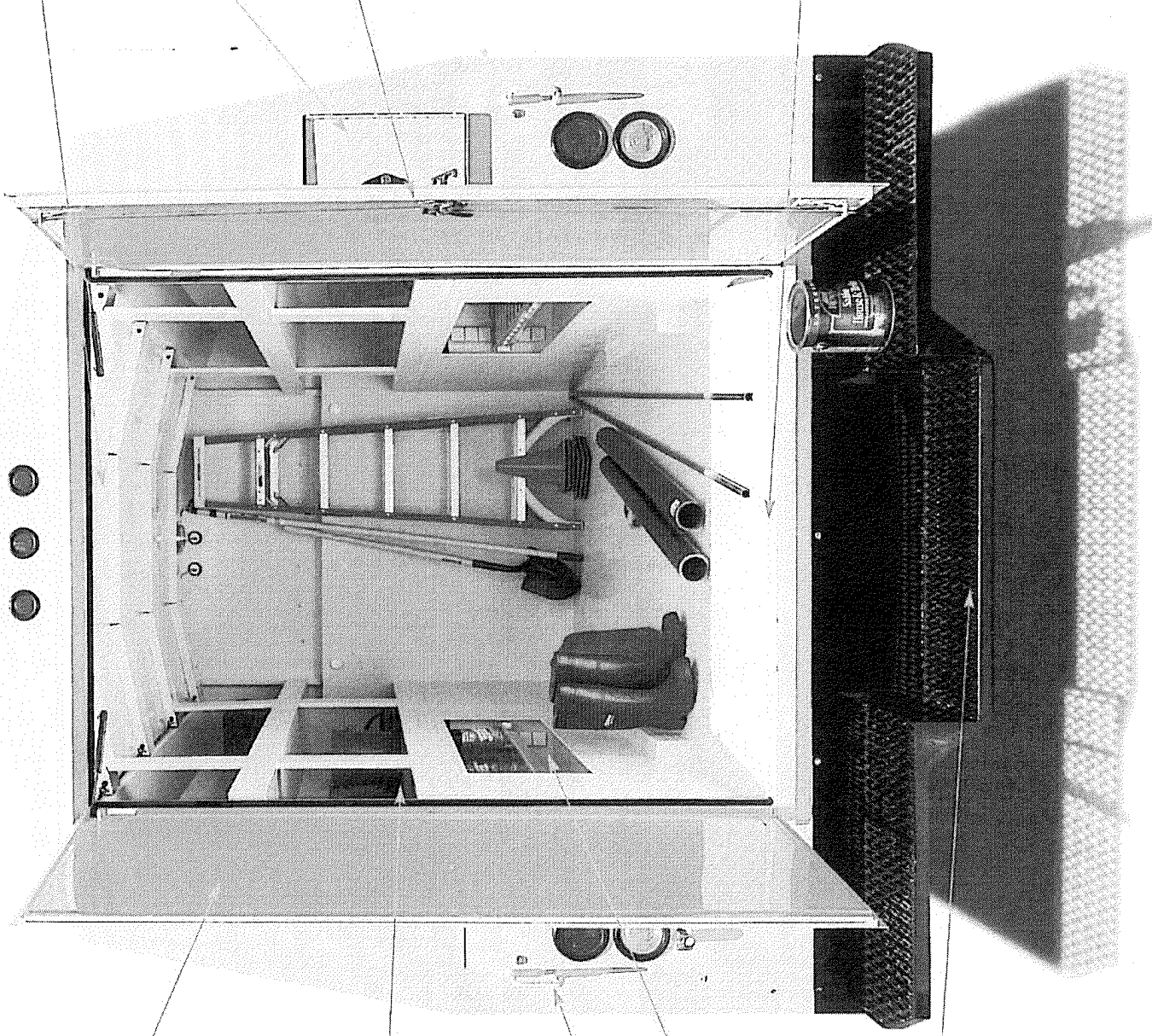


# Open Wide and Say Ahhhh!



**Double Paneled Doors** give full width access to the bed area. Two-piece door design features sound deadening foam for added value and a solid automotive sound when closing.

**Royal's Super Seal weatherstripping** seals out dust and rain and retains elasticity.

**Carry your tools to the jobsite** with our impact-resistant portable storage trays with removable dividers.



**Internal Master Lock System**

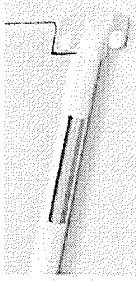
**Easy access to side compartments** from inside and outside the bed area



**A full 75.5" of headroom and ample clearance for storing tools** in this High Profile Dual Rear Wheel model. The Low Profile model offers 55.5" of interior height.

**Rear Access Conduit Compartments** carries full length copper, PVC and conduit piping.

**NEW! zinc-plated door Lock Rods** provide excellent protection against corrosion and lock doors securely.



Cutaway illustration shows stainless steel hinge rods. These provide tensile strength and rust resistance. Hinge block, made of impact-resistant Delrin Polymer, secures doors firmly to body sides.

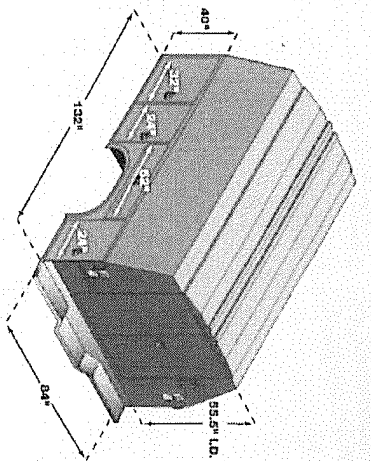
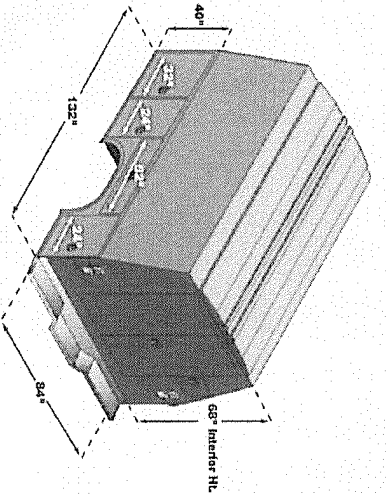
**54" bed width holds pallets and all contractor stock.**  
**12 gauge Diamond Plate Floor** is rolled for strength.

**11.75" Grip Strut Rear Step Bumper**

## 11' Service Van

### Single Rear Wheels

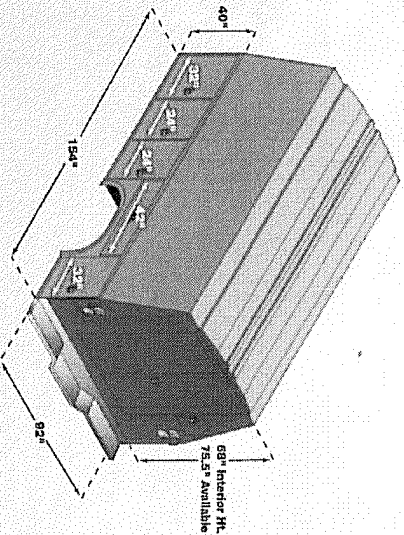
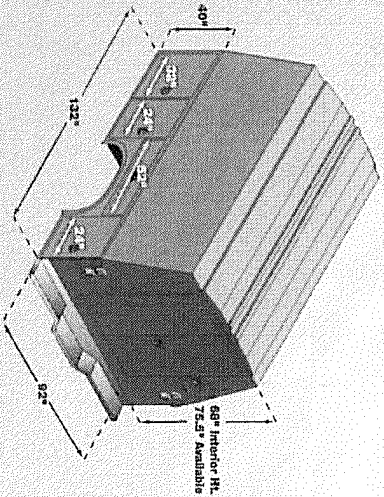
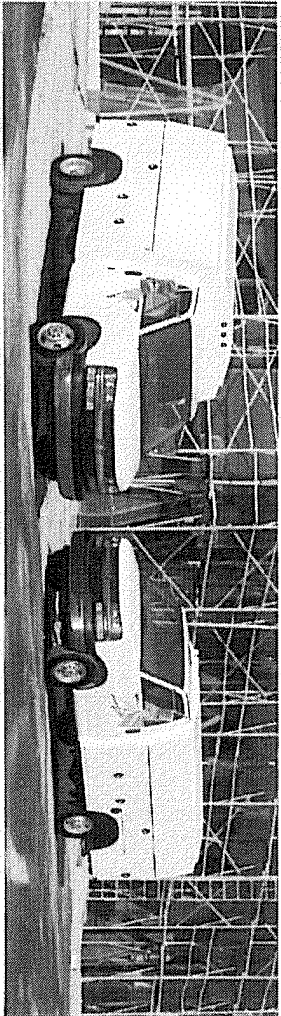
- 80" cab to axle
- 68" interior height
- 46 Removable high impact composite trays with dividers on inside shelves



## 11' Service Van

### Dual Rear Wheels

- 80" cab to axle
- 75.5" or 68" Interior height available
- 53 Removable high impact composite trays with dividers on inside shelves



## 11' Low Profile Service Van

### Single Rear Wheels

- 80" cab to axle
- 55.5" interior height
- 16 Removable high impact composite trays with dividers on inside shelves.

## 12' 8" (154") Service Van

### Dual Rear Wheels

- 100" cab to axle
- 75.5" or 68" Interior height available
- 64 Removable high impact composite trays with dividers on inside shelves

### STANDARD FEATURES

- A-40 galvanized steel body construction locks out rust
- Smooth body upper panels for company graphics
- Rear access conduit compartment
- Internal master lock system
- Removable, high impact composite trays with dividers on inside shelves
- Single doors on front compartments for enhanced resistance to water and dust
- Rain gutters above all doors

- Automotive-style Neoprene weatherstripping for dust and water resistant compartment interiors
- Gas springs on all vertical doors and chain stops on horizontal doors
- All compartment doors are double-paneled
- Patented recessed stainless steel door pockets with internal fasteners
- 3-point door locking system with zinc-plated lock rods

## 5-

- Tred-brite aluminum front gravel guards and splash guards
- Lock-in-place shelving, adjustable on 2" centers
- 12 gauge, rolled diamond plate floor on 10 gauge crossmembers
- Rust proof fender flares
- 11.75" rear step bumper with grip strut step
- 1900 emulsion undercoating
- 3-year/36,000 mile limited warranty